



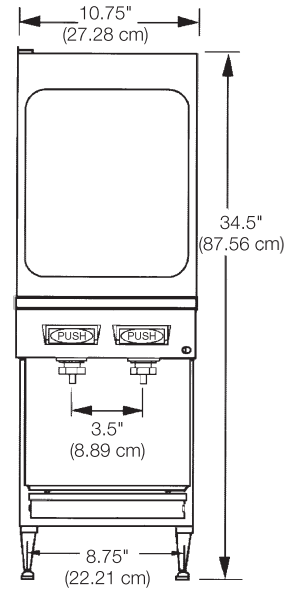
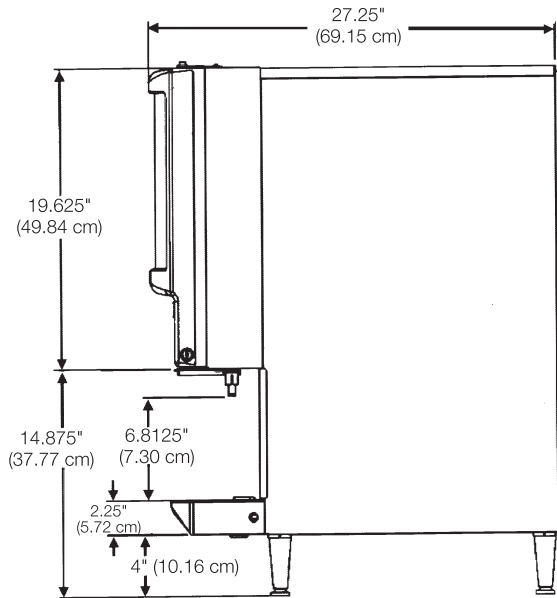
## QUANTUM 2000

2 FLAVOR POST-MIX  
JUICE DISPENSER



### FEATURES:

- Easy front loading of concentrate
- Narrow profile is 10.75" (27.28 cm) wide
- High performance peristaltic pumps and a unique mixing valve assures elimination of stratification
- Large concentrate storage capacity
- Tamper resistant and disposable packaging
- Modular component design provides ease of sanitation and service
- Contemporary cabinet design is a blend of attractive black plastic and sturdy stainless steel
- Easy-to-adjust mixing system controls and maintains a consistent finished drink
- Lighted merchandiser is standard
- Push button or programmable portion controlled dispensing available



**TECHNICAL SPECIFICATIONS:**

DESCRIPTION..... Model SLJ1000-2  
 115 V / 60 Hz / 9.43 Amps  
 220 V / 50 Hz / 5 Amps

REFRIGERATION..... 1/3 HP hermetically sealed system  
 R-134a refrigerant  
 6.25 oz (177 g)

CABINETRY..... Stainless steel

DISPENSER DIMENSIONS..... 34.5"H (with 4" legs) x 10.75"W x 27.25"D (87.62 cm x 27.28 cm x 69.15 cm)

WEIGHT..... Dry: 115 lb (52.21 kg)  
 Shipping: 130 lb (59.02 kg)

RECOMMENDED CLEARANCE .. Back: 4" (10.16 cm)  
 Top: 12" (30.48 cm)  
 and open to the front for air circulation

WATER CONNECTION..... 0.375" (0.95 cm) SAE male flare fitting on dispenser



CONCENTRATE STORAGE..... 169 oz (10 L)

WATER SUPPLY REQUIREMENTS..... 80 psi (5.6 kg/sq cm) max static pressure  
 20 psi (1.4 kg/sq cm) min dynamic pressure

COOLING CAPACITY..... Four 5 oz (147.85 mL) drinks/min @ 75°F (24°C) concentrate without exceeding 45°F (7°C) drink temp

FLOW RATE..... Adjustable water flow rate from 1.6 oz/sec (47.31 mL/sec) to 2.2 oz/sec (65.05 mL/sec); Handles 2 + 1 – 7 + 1 concentrate

OPTIONAL ACCESSORIES..... 160 oz (4.7 L) HDPE refillable concentrate container, Illuminated merchandiser, Portion control, Sanitizing tank kit, Extended splash panel kit (lowers drink tray)

AGENCY LISTINGS.....   



IN THE U.S.A. Ph: 800.238.3600 Fax: 763.488.4283

OUTSIDE THE U.S.A. Ph: 763.488.8200 Fax: 763.488.4283

101 Broadway Street West Osseo, MN 55369 www.cornelius.com